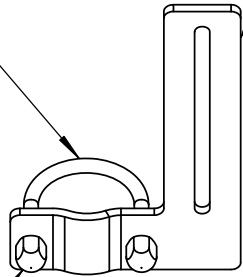


Patent-protected. For more information go to [www.rocket-rack.com/patents](http://www.rocket-rack.com/patents)

**ROCKET UBOLT- HYGIENIC**

Minimal Thread Exposure  
316S  
1/2" - 4" Rigid Trade Size  
Includes:  
2- RR BEVELED CAP NUT



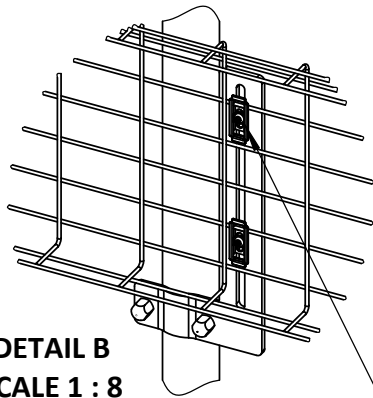
**ROCKET POST EXTENSION ARM HZ**

For Horizontal Runs  
304S

Includes:  
1-RR HYGIENIC UBOLT  
2-RR BEVELED CAP NUT

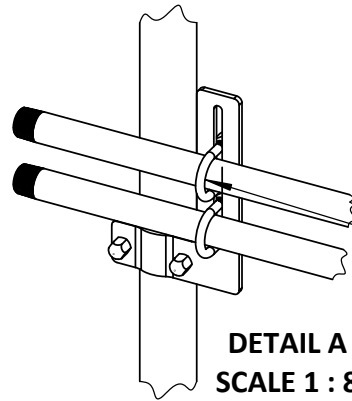
**ROCKET RACK  
BEVELED CAP NUT**

360° Nylon Thread Locker  
316S  
3/8" or 1/2" Diameters



**ROCKET MOUNTING BRACKET**

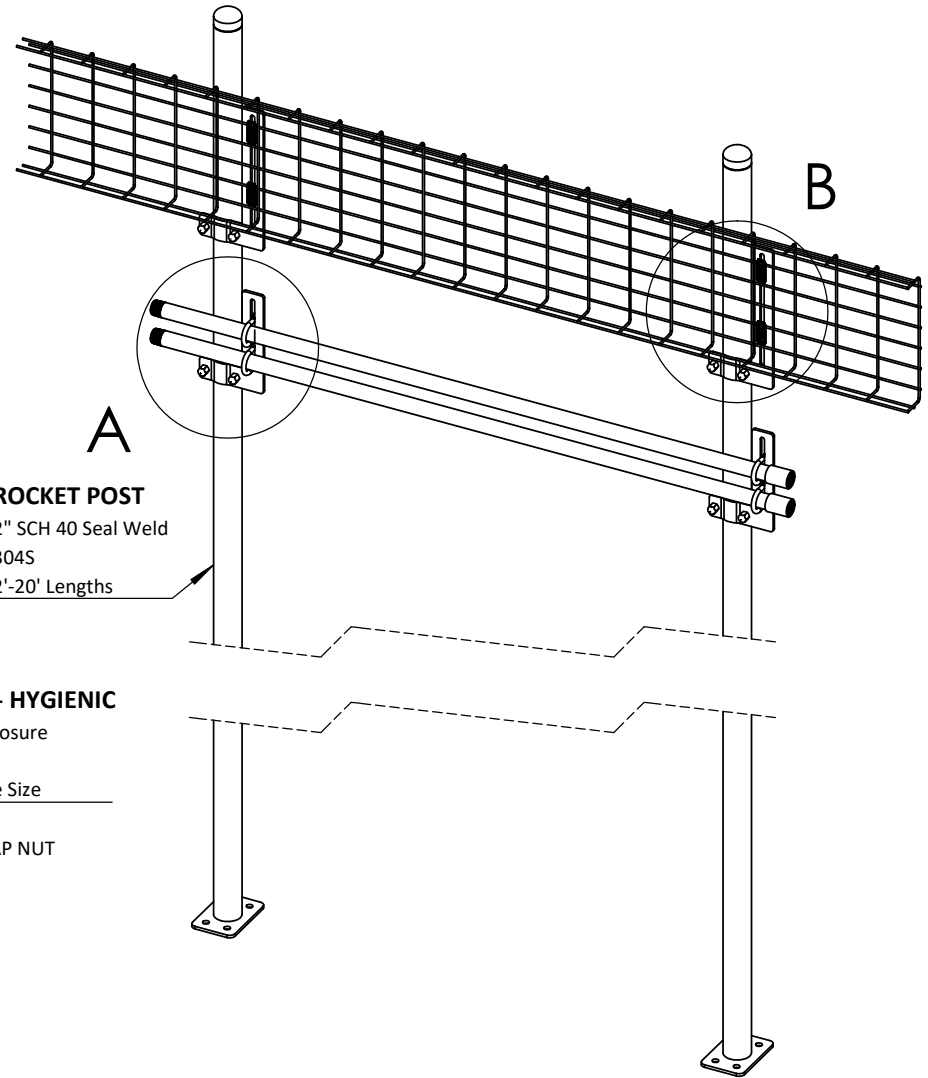
RRHDWSNIEDSET  
Wire Mesh Mounting Bracket  
304S



**DETAIL A  
SCALE 1 : 8**

**ROCKET UBOLT- HYGIENIC**

Minimal Thread Exposure  
316S  
1/2" - 4" Rigid Trade Size  
Includes:  
2- RR BEVELED CAP NUT



**ROCKET POST**

2" SCH 40 Seal Weld  
304S  
2'-20' Lengths

ADDITIONAL INFORMATION AND DETAILS FOR ROCKET RACK CAN BE FOUND ON THE ROCKET RACK WEBSITE [WWW.ROCKET-RACK.COM](http://WWW.ROCKET-RACK.COM) OR IN THE ROCKET RACK CATALOG. IF YOU HAVE QUESTIONS ABOUT THE FOR CUSTOM SIZES AND DRAWINGS PLEASE CALL CUSTOMER SERVICE 903.680.4222 OR INSTALLATION OF ANY ROCKET RACK PRODUCT OR EMAIL [CSR@ROBROY.COM](mailto:CSR@ROBROY.COM)



Robroy Industries Rocket Rack Products have been tested & certified under the Food Safety and Quality Product/System Category to standard NSF/ANSI/3-A 14159-1.

<p><b>PERSONAL AND CONFIDENTIAL</b> THE INFORMATION CONTAINED IN THIS DRAWING IS THE SOLE PROPERTY OF ROBROY INDUSTRIES. ANY REPRODUCTION IN PART OR AS A WHOLE WITHOUT THE WRITTEN PERMISSION OF ROBROY INDUSTRIES IS PROHIBITED.</p>	<p><b>ROCKET RACK</b> a unit of ROBROY INDUSTRIES 1100 US HWY 271 S GILMER, TX 75644 903-843-5591 <a href="http://www.rocket-rack.com">www.rocket-rack.com</a></p>	<p>TITLE: HYGIENIC ROCKET POST, EXTENSION ARM HORIZONTAL, FOR HORIZONTAL RUNS</p>
		<p>DWG NO.</p>
		<p>RRPOSTEXTARMHZ</p>