



FASTER
CLEANER
SAFER™



MADE IN USA

LOAD RATINGS

ROCKET RACK® STANDARD

ROCKET RACK®

SANITARY SUPPORT SYSTEM FOR CONDUIT & PROCESS PIPE

www.rocket-rack.com

☎ 866.481.8899 ✉ sales@rocket-rack.com

🇺🇸 Certified Woman-Owned Business

LOAD RATINGS

ATTENTION

The ROCKET RACK® slots are to be used for securing conduit and process pipe fasteners (U-Bolts, ROCKET STANDOFF™, Sanitary Clamps, etc.) only. The proprietary slot is NOT to be used as a means of installing the ROCKET RACK itself. The ROCKET RACK should be installed using only the mounting holes provided.

ROCKET RACK FLAT is for WALL MOUNT & POST MOUNT ONLY!

Do not attempt to cut or alter the ROCKET RACK product in any way. The load ratings provided in this document only apply to unaltered ROCKET RACK products. Unique Metal Solutions, dba ROCKET RACK disclaims all potential liability that may result from improper installation of the ROCKET RACK product or from cutting the rack or changing the size of the slot or mounting holes. You agree to indemnify and hold Unique Metal Solutions harmless from any loss, damage, claim, cost, or expense incurred or suffered by Unique Metal Solutions relating to any ROCKET RACK product that you improperly installed or altered in any way.

Manufacturing the patented ROCKET RACK Conduit & Pipe Support Racks without the permission of Unique Metal Solutions, LLC, (by license or waiver) constitutes infringement and will expose the unauthorized user AND manufacturer to liability under U.S. Patent Law.

ROCKET RACK U.S. Patents: D608,183 S, D599,194 S, D599,193 S, D653,524 S & D649,863 S and patents pending.

The Proprietary and Confidential Information contained in this drawing is the sole property of Unique Metal Solutions, LLC, dba ROCKET RACK. Any reproduction in part or as a whole without the written permission of Unique Metal Solutions, LLC, dba ROCKET RACK is prohibited.



ROCKET RACK®

SANITARY SUPPORT SYSTEM FOR CONDUIT & PROCESS PIPE

ROCKET RACK® STANDARD

U.S. PATENT NOS. D608,183 S & D599,194 S

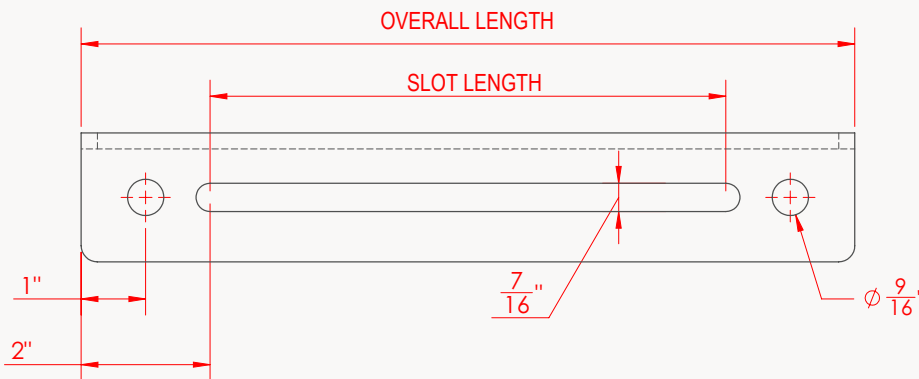


- These slots and mounting holes are centered on horizontal flat leg of the angle.
- Loads on these tables are based on utilizing the outside mounting holes.
- Load ratings are based on ASD, 9TH Edition, Section F1, however it is suggested that the loads in the tables be reduced by a Factor of Safety of 2 for safe performance.

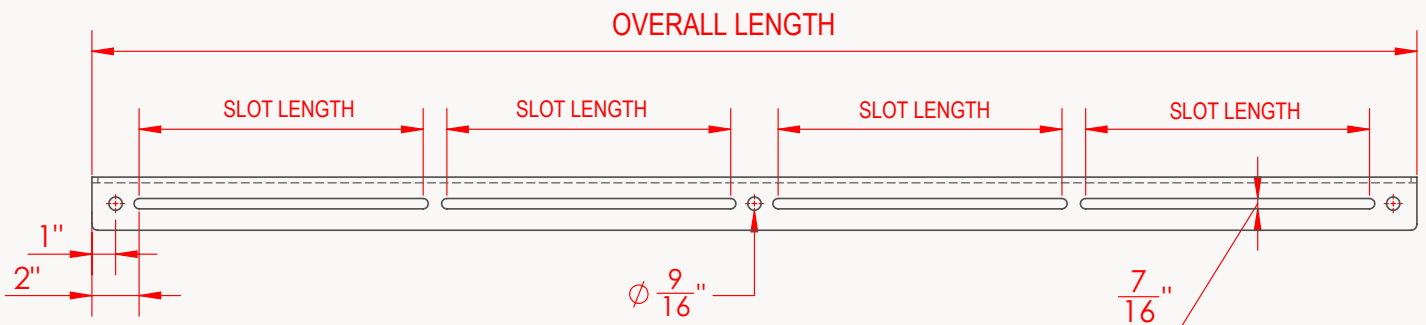
LOAD RATINGS ARE LISTED FOR TWO MATERIALS HAVING THE FOLLOWING PROPERTIES:

Material	Yield Stress (KSI)	Mod of Elasticity (KSI)
304/316 Stainless Steel	30	28100
6061-T6 Aluminum	37	10000

1 SLOT STANDARD



4 SLOT STANDARD



Manufacturing the patented ROCKET RACK® Conduit & Pipe Support Racks without the permission of Unique Metal Solutions, LLC, (by license or waiver) constitutes infringement and will expose the unauthorized user AND manufacturer to liability under U.S. Patent Law.

ROCKET RACK® U.S. Patents: D608,183 S, D599,194 S, D599,193 S, D653,524 S & D649,863 S and patents pending.

The Proprietary and Confidential Information contained in these drawings are the sole property of Unique Metal Solutions, LLC, dba ROCKET RACK®. Any reproduction in part or as a whole without the written permission of Unique Metal Solutions, LLC, dba ROCKET RACK® is prohibited.

ROCKET RACK®

SANITARY SUPPORT SYSTEM FOR CONDUIT & PROCESS PIPE

ROCKET RACK® STANDARD

U.S. PATENT NOS. D608,183 S & D599,194 S



SECTION PROPERTIES OF REDUCED SECTION FOR LOAD AND DEFLECTION RATING

Area	Moment of Inertia	Min. Section Mod.	Radius of Gyration
(lbs.)	(in.^4)	(in.^3)	(in.)
0.633	0.248	0.209	0.626

ROCKET RACK® STANDARD

Standard 304 & 316 Stainless 2x2x1/4

PART NUMBER	Overall	Max Point	Deflection	L/240	L/360	Max. Dist.	Deflection	L/240	L/360
	Length	Load (LB)	(IN)	(LB)	(LB)	Load (LB)	(IN)	(LB)	(LB)
STD304.12 STD316.12	12"	1507	0.0045	1507	1507	3014	0.0056	3014	3014
STD304.14 STD316.14	14"	1256	0.0065	1256	1256	2511	0.0081	2511	2511
STD304.16 STD316.16	16"	1076	0.0088	1076	1076	2153	0.0110	2153	2153
STD304.18 STD316.18	18"	942	0.0115	942	942	1883	0.0144	1883	1883
STD304.20 STD316.20	20"	837	0.0146	837	837	1674	0.0183	1674	1674
STD304.22 STD316.22	22"	753	0.0180	753	753	1507	0.0225	1507	1507
STD304.24 STD316.24	24"	685	0.0218	685	685	1370	0.0273	1370	1370
STD304.26 STD316.26	26"	628	0.0260	628	628	1256	0.0325	1256	1256
STD304.28 STD316.28	28"	580	0.0305	580	580	1159	0.0381	1159	1159
STD304.30 STD316.30	30"	538	0.0354	538	538	1076	0.0442	1076	1076
STD304.32 STD316.32	32"	457	0.0370	457	457	915	0.0462	915	915
STD304.34 STD316.34	34"	380	0.0373	380	380	760	0.0466	760	760
STD304.36 STD316.36	36"	443	0.0521	443	443	886	0.0652	886	886
STD304.38 STD316.38	38"	419	0.0584	419	419	837	0.0731	837	837
STD304.40 STD316.40	40"	397	0.0651	397	397	793	0.0814	793	793
STD304.42 STD316.42	42"	377	0.0722	377	377	753	0.0902	753	753
STD304.44 STD316.44	44"	359	0.0796	359	359	718	0.0994	718	718
STD304.46 STD316.46	46"	342	0.0873	342	342	685	0.1091	685	685
STD304.48 STD316.48	48"	328	0.0954	328	328	655	0.1193	655	655
STD304.50 STD316.50	50"	314	0.1039	314	314	628	0.1299	628	628
STD304.52 STD316.52	52"	301	0.1127	301	301	603	0.1409	603	594
STD304.54 STD316.54	54"	290	0.1219	290	290	580	0.1524	580	549
STD304.56 STD316.56	56"	279	0.1315	279	279	558	0.1644	558	509
STD304.58 STD316.58	58"	269	0.1414	269	269	538	0.1768	538	473
STD304.60 STD316.60	60"	260	0.1517	260	260	520	0.1896	520	441

- These slots and mounting holes are centered on horizontal flat leg of the angle.
- Loads on these tables are based on utilizing the outside mounting holes.
- Load rating are based on ASD, 9th Edition, Section F1, however it is suggested that the loads in the tables be reduced by a Factor of Safety of 2 for safe performance.
- For slot dimensions & placement, Call ROCKET RACK® 1.866.481.8899

Manufacturing the patented ROCKET RACK® Conduit & Pipe Support Racks without the permission of Unique Metal Solutions, LLC, (by license or waiver) constitutes infringement and will expose the unauthorized user AND manufacturer to liability under U.S. Patent Law.

ROCKET RACK® U.S. Patents: D608,183 S, D599,194 S, D599,193 S, D653,524 S & D649,863 S and patents pending.

The Proprietary and Confidential Information contained in these drawings are the sole property of Unique Metal Solutions, LLC, dba ROCKET RACK®. Any reproduction in part or as a whole without the written permission of Unique Metal Solutions, LLC, dba ROCKET RACK® is prohibited.

ROCKET RACK®

SANITARY SUPPORT SYSTEM FOR CONDUIT & PROCESS PIPE

ROCKET RACK® STANDARD

U.S. PATENT NOS. D608,183 S & D599,194 S



SECTION PROPERTIES OF REDUCED SECTION FOR LOAD AND DEFLECTION RATING

Area	Moment of Inertia	Min. Section Mod.	Radius of Gyration
(lbs.)	(in.^4)	(in.^3)	(in.)
0.633	0.248	0.209	0.626

ROCKET RACK® STANDARD

Standard 6061-T6 Aluminum 2x2x1/4

PART NUMBER	Overall	Max Point	Deflection	L/240	L/360	Max. Dist.	Deflection	L/240	L/360
	Length	Load (LB)	(IN)	(LB)	(LB)	Load (LB)	(IN)	(LB)	(LB)
STDALU.12	12"	1858	0.0156	1858	1858	3717	0.0195	3717	3717
STDALU.14	14"	1549	0.0225	1549	1549	3097	0.0281	3097	3097
STDALU.16	16"	1327	0.0306	1327	1327	2655	0.0383	2655	2655
STDALU.18	18"	1161	0.0400	1161	1161	2323	0.0500	2323	2064
STDALU.20	20"	1032	0.0506	1032	1019	2065	0.0633	2065	1631
STDALU.22	22"	929	0.0625	929	826	1858	0.0781	1858	1321
STDALU.24	24"	845	0.0756	845	682	1689	0.0946	1638	1092
STDALU.26	26"	774	0.0900	774	573	1549	0.1125	1376	917
STDALU.28	28"	698	0.1032	698	489	1396	0.1289	1173	782
STDALU.30	30"	575	0.1061	575	421	1150	0.1327	1011	674
STDALU.32	32"	465	0.1057	465	367	931	0.1321	881	587
STDALU.34	34"	380	0.1047	380	323	760	0.1309	760	516
STDALU.36	36"	547	0.1807	429	286	1093	0.2258	686	457
STDALU.38	38"	516	0.2026	382	255	1032	0.2532	612	408
STDALU.40	40"	489	0.2257	343	229	978	0.2821	549	366
STDALU.42	42"	465	0.2501	310	206	929	0.3126	495	330
STDALU.44	44"	442	0.2757	281	187	885	0.3446	449	300
STDALU.46	46"	422	0.3026	256	171	845	0.3782	409	273
STDALU.48	48"	404	0.3307	234	156	808	0.4134	375	250
STDALU.50	50"	387	0.3601	215	143	774	0.4501	344	229
STDALU.52	52"	363	0.3815	198	132	726	0.4769	317	211
STDALU.54	54"	330	0.3898	183	122	659	0.4873	293	195
STDALU.56	56"	344	0.4558	170	113	688	0.5697	272	181
STDALU.58	58"	332	0.4901	158	105	664	0.6127	253	169
STDALU.60	60"	320	0.5258	147	98	641	0.6572	236	157

- These slots and mounting holes are centered on horizontal flat leg of the angle.
- Loads on these tables are based on utilizing the outside mounting holes.
- Load rating are based on ASD, 9th Edition, Section F1, however it is suggested that the loads in the tables be reduced by a Factor of Safety of 2 for safe performance.
- For slot dimensions & placement, Call ROCKET RACK® 1.866.481.8899

Manufacturing the patented ROCKET RACK® Conduit & Pipe Support Racks without the permission of Unique Metal Solutions, LLC, (by license or waiver) constitutes infringement and will expose the unauthorized user AND manufacturer to liability under U.S. Patent Law.

ROCKET RACK® U.S. Patents: D608,183 S, D599,194 S, D599,193 S, D653,524 S & D649,863 S and patents pending.

The Proprietary and Confidential Information contained in these drawings are the sole property of Unique Metal Solutions, LLC, dba ROCKET RACK®. Any reproduction in part or as a whole without the written permission of Unique Metal Solutions, LLC, dba ROCKET RACK® is prohibited.

ROCKET RACK®

SANITARY SUPPORT SYSTEM FOR CONDUIT & PROCESS PIPE

ROCKET RACK® STANDARD

U.S. PATENT NOS. D608,183 S & D599,194 S



SECTION PROPERTIES OF REDUCED SECTION FOR LOAD AND DEFLECTION RATING

Area	Moment of Inertia	Min. Section Mod.	Radius of Gyration
(lbs.)	(in.^4)	(in.^3)	(in.)
1.008	0.927	0.500	0.626

ROCKET RACK® STANDARD

Standard 304 & 316 Stainless 3x3x1/4

PART NUMBER	Overall	Max Point	Deflection	L/240	L/360	Max. Dist.	Deflection	L/240	L/360
	Length	Load (LB)	(IN)	(LB)	(LB)	Load (LB)	(IN)	(LB)	(LB)
3X.STD304.36 3X.STD316.36	36"	1060	0.0333	1060	1060	2119	0.0417	2119	2119
3X.STD304.38 3X.STD316.38	38"	1001	0.0374	1001	1001	2002	0.0467	2002	2002
3X.STD304.40 3X.STD316.40	40"	948	0.0416	948	948	1896	0.0520	1896	1896
3X.STD304.42 3X.STD316.42	42"	901	0.0461	901	901	1801	0.0577	1801	1801
3X.STD304.44 3X.STD316.44	44"	858	0.0509	858	858	1716	0.0636	1716	1716
3X.STD304.46 3X.STD316.46	46"	819	0.0558	819	819	1638	0.0698	1638	1638
3X.STD304.48 3X.STD316.48	48"	783	0.0610	783	783	1566	0.0762	1566	1566
3X.STD304.50 3X.STD316.50	50"	751	0.0664	751	751	1501	0.0830	1501	1501
3X.STD304.52 3X.STD316.52	52"	721	0.0721	721	721	1441	0.0901	1441	1441
3X.STD304.54 3X.STD316.54	54"	693	0.0779	693	693	1386	0.0974	1386	1386
3X.STD304.56 3X.STD316.56	56"	667	0.0841	667	667	1334	0.1051	1334	1334
3X.STD304.58 3X.STD316.58	58"	643	0.0904	643	643	1287	0.1130	1287	1287
3X.STD304.60 3X.STD316.60	60"	621	0.0970	621	621	1242	0.1212	1242	1242
3X.STD304.62 3X.STD316.62	62"	600	0.1038	600	600	1201	0.1297	1201	1201
3X.STD304.64 3X.STD316.64	64"	581	0.1108	581	581	1162	0.1385	1162	1162
3X.STD304.66 3X.STD316.66	66"	563	0.1181	563	563	1126	0.1476	1126	1126
3X.STD304.68 3X.STD316.68	68"	546	0.1256	546	546	1092	0.1570	1092	1092
3X.STD304.70 3X.STD316.70	70"	530	0.1333	530	530	1060	0.1666	1060	1060
3X.STD304.72 3X.STD316.72	72"	515	0.1413	515	515	1029	0.1766	1029	1029

- These slots and mounting holes are centered on horizontal flat leg of the angle.
- Loads on these tables are based on utilizing the outside mounting holes.
- Load rating are based on ASD, 9th Edition, Section F1, however it is suggested that the loads in the tables be reduced by a Factor of Safety of 2 for safe performance.
- For slot dimensions & placement, Call ROCKET RACK® 1.866.481.8899

Manufacturing the patented ROCKET RACK® Conduit & Pipe Support Racks without the permission of Unique Metal Solutions, LLC, (by license or waiver) constitutes infringement and will expose the unauthorized user AND manufacturer to liability under U.S. Patent Law.

ROCKET RACK® U.S. Patents: D608,183 S, D599,194 S, D599,193 S, D653,524 S & D649,863 S and patents pending.

The Proprietary and Confidential Information contained in these drawings are the sole property of Unique Metal Solutions, LLC, dba ROCKET RACK®. Any reproduction in part or as a whole without the written permission of Unique Metal Solutions, LLC, dba ROCKET RACK® is prohibited.

ROCKET RACK®

SANITARY SUPPORT SYSTEM FOR CONDUIT & PROCESS PIPE

ROCKET RACK® STANDARD

U.S. PATENT NOS. D608,183 S & D599,194 S



SECTION PROPERTIES OF REDUCED SECTION FOR LOAD AND DEFLECTION RATING

Area	Moment of Inertia	Min. Section Mod.	Radius of Gyration
(lbs.)	(in.^4)	(in.^3)	(in.)
1.008	0.927	0.5	0.959

ROCKET RACK® STANDARD

Standard 6061-T6 Aluminum 3x3x1/4

PART NUMBER	Overall	Max Point	Deflection	L/240	L/360	Max. Dist.	Deflection	L/240	L/360
	Length	Load (LB)	(IN)	(LB)	(LB)	Load (LB)	(IN)	(LB)	(LB)
3X.STDALU.36	36"	1307	0.1155	1307	1069	2614	0.1444	2565	1710
3X.STDALU.38	38"	1234	0.1295	1234	953	2469	0.1618	2288	1525
3X.STDALU.40	40"	1169	0.1443	1169	856	2339	0.1803	2053	1369
3X.STDALU.42	42"	1111	0.1598	1111	772	2222	0.1998	1853	1235
3X.STDALU.44	44"	1058	0.1762	1051	700	2116	0.2203	1681	1121
3X.STDALU.46	46"	1010	0.1934	957	638	2020	0.2418	1532	1021
3X.STDALU.48	48"	966	0.2114	876	584	1932	0.2643	1401	934
3X.STDALU.50	50"	926	0.2302	804	536	1851	0.2877	1287	858
3X.STDALU.52	52"	889	0.2498	741	494	1777	0.3122	1186	791
3X.STDALU.54	54"	854	0.2701	685	457	1709	0.3377	1097	731
3X.STDALU.56	56"	823	0.2913	636	424	1646	0.3642	1017	678
3X.STDALU.58	58"	793	0.3133	591	394	1587	0.3916	945	630
3X.STDALU.60	60"	766	0.3361	551	367	1532	0.4201	881	588
3X.STDALU.62	62"	741	0.3597	515	343	1481	0.4496	824	549
3X.STDALU.64	64"	717	0.3840	482	321	1433	0.4800	771	514
3X.STDALU.66	66"	694	0.4092	452	302	1389	0.5115	724	483
3X.STDALU.68	68"	673	0.4352	425	284	1346	0.5440	681	454
3X.STDALU.70	70"	653	0.4620	401	267	1307	0.5775	641	427
3X.STDALU.72	72"	635	0.4895	378	252	1270	0.6119	605	403

- These slots and mounting holes are centered on horizontal flat leg of the angle.
- Loads on these tables are based on utilizing the outside mounting holes.
- Load rating are based on ASD, 9th Edition, Section F1, however it is suggested that the loads in the tables be reduced by a Factor of Safety of 2 for safe performance.
- For slot dimensions & placement, Call ROCKET RACK® 1.866.481.8899

Manufacturing the patented ROCKET RACK® Conduit & Pipe Support Racks without the permission of Unique Metal Solutions, LLC, (by license or waiver) constitutes infringement and will expose the unauthorized user AND manufacturer to liability under U.S. Patent Law.

ROCKET RACK® U.S. Patents: D608,183 S, D599,194 S, D599,193 S, D653,524 S & D649,863 S and patents pending.

The Proprietary and Confidential Information contained in these drawings are the sole property of Unique Metal Solutions, LLC, dba ROCKET RACK®. Any reproduction in part or as a whole without the written permission of Unique Metal Solutions, LLC, dba ROCKET RACK® is prohibited.