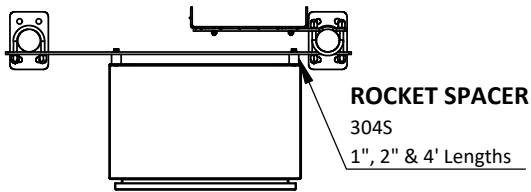
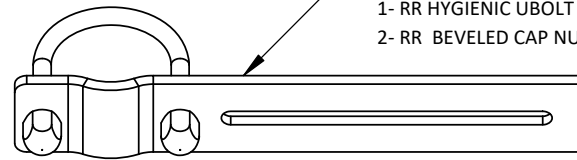


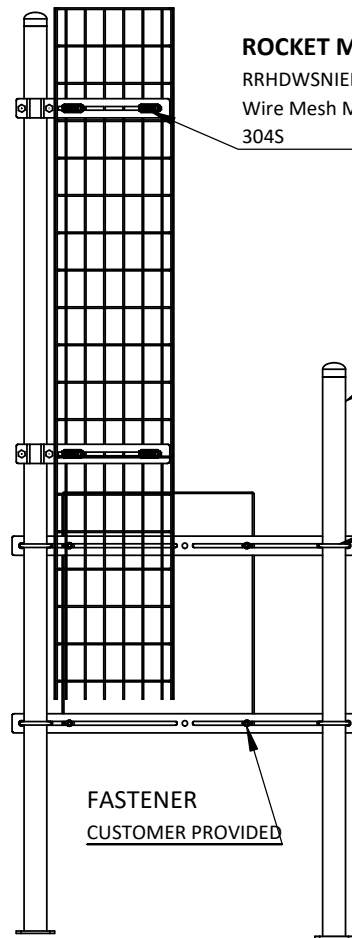
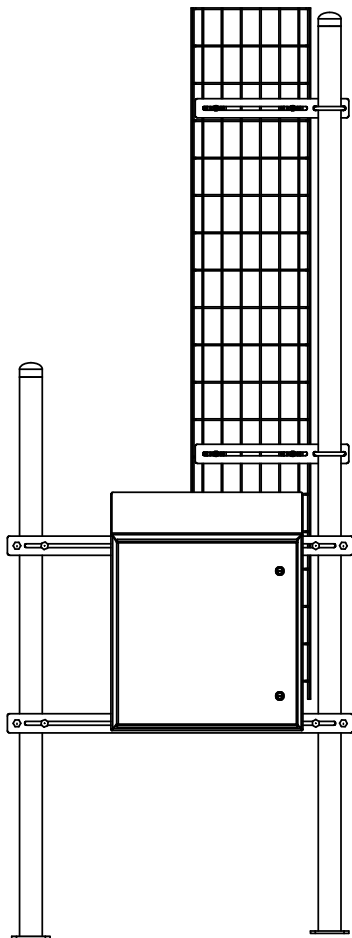
Patent-protected. For more information go to www.rocket-rack.com/patents



ROCKET SPACER
304S
1", 2" & 4' Lengths



ROCKET POST EXTENSION ARM VT
For Vertical Runs
304S
Includes:
1- RR HYGIENIC UBOLT
2- RR BEVELED CAP NUT



ROCKET MOUNTING BRACKET
RRHDWSNIEDSET
Wire Mesh Mounting Bracket
304S

ROCKET POST
2" SCH 40 Seal Weld
304S
2'-20' Lengths

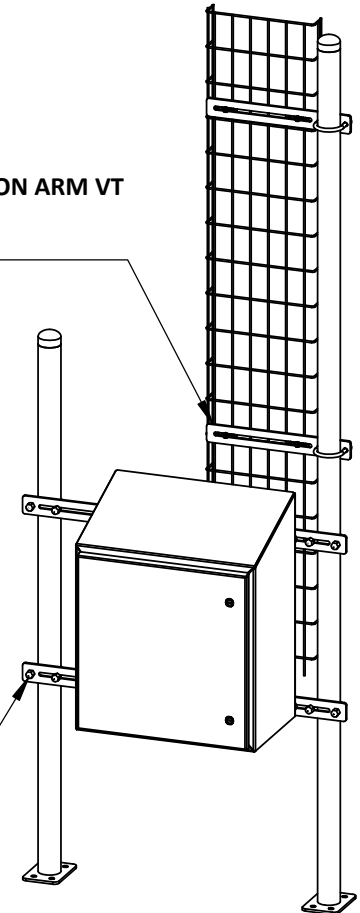
ROCKET UBOLT- HYGIENIC
Minimal Thread Exposure
316S
1/2" - 4" Rigid Trade Size
Includes:
2- RR BEVELED CAP NUT

ROCKET RACK FLAT
1/4 x 2"
304S or 6061-T6 ALU
8"-72" Lengths

FASTENER
CUSTOMER PROVIDED

ROCKET POST EXTENSION ARM VT
For Vertical Runs
304S
Includes:
1- RR HYGIENIC UBOLT
2- RR BEVELED CAP NUT

ROCKET RACK BEVELED CAP NUT
360° Nylon Thread Locker
316S
3/8" or 1/2" Diameters



ADDITIONAL INFORMATION AND DETAILS FOR ROCKET RACK CAN BE FOUND ON THE ROCKET RACK WEBSITE WWW.ROCKET-RACK.COM OR IN THE ROCKET RACK CATALOG. IF YOU HAVE QUESTIONS ABOUT THE INSTALLATION OF ANY ROCKET RACK PRODUCT OR FOR CUSTOM SIZES AND DRAWINGS PLEASE CALL CUSTOMER SERVICE 903.680.4222 OR EMAIL CSR@ROBROY.COM



Robroy Industries Rocket Rack Products have been tested & certified under the Food Safety and Quality Product/System Category to standard NSF/ANSI/3-A 14159-1.

<p>PERSONAL AND CONFIDENTIAL THE INFORMATION CONTAINED IN THIS DRAWING IS THE SOLE PROPERTY OF ROBROY INDUSTRIES. ANY REPRODUCTION IN PART OR AS A WHOLE WITHOUT THE WRITTEN PERMISSION OF ROBROY INDUSTRIES IS PROHIBITED.</p>	<p>ROCKET RACK a unit of ROBROY INDUSTRIES 1100 US HWY 271 S GILMER, TX 75644 903-843-5591 www.rocket-rack.com</p>	<p>TITLE: VERTICAL RUNS, HYGIENIC ROCKET POST, EXTENSION ARMS VERTICAL</p>
	<p>DWG NO. RRPEXAM04V-BKT</p>	