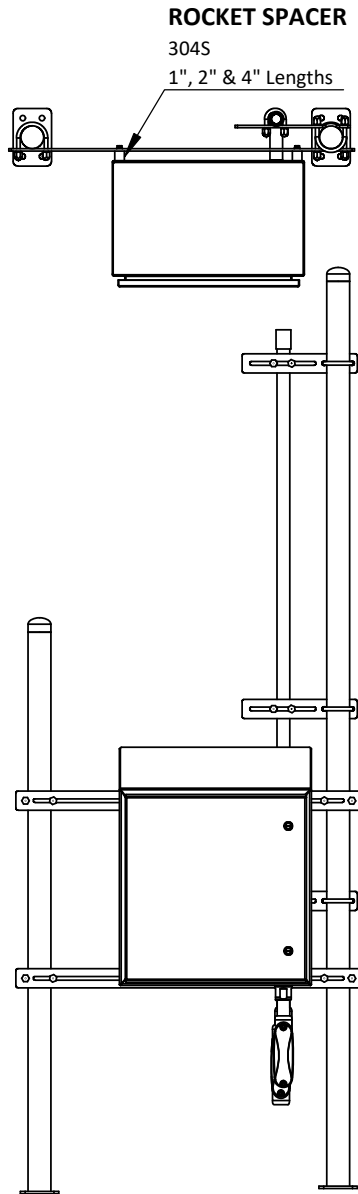


Patent-protected. For more information go to www.rocket-rack.com/patents

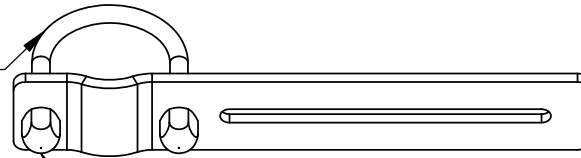


ROCKET SPACER

304S
1", 2" & 4" Lengths

ROCKET UBOLT- HYGIENIC

Minimal Thread Exposure
316S
1/2" - 4" Rigid Trade Size
Includes:
- 2 -RR BEVELED CAP NUT



ROCKET RACK BEVELED CAP NUT

360° Nylon Thread Locker
316S
3/8" or 1/2" Diameters

ROCKET POST EXTENSION ARM VT

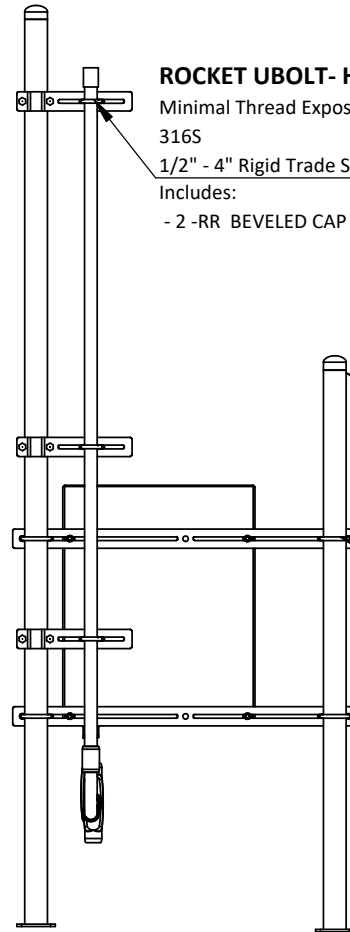
For Vertical Runs
304S
Includes:
1- RR UBOLT -HYGIENIC
2- RR BEVELED CAP NUT

ROCKET UBOLT- HYGIENIC

Minimal Thread Exposure
316S
1/2" - 4" Rigid Trade Size
Includes:
- 2 -RR BEVELED CAP NUT

RR POST EXTENSION ARM VT

For Vertical Runs
304S
Includes:
1- RR UBOLT -HYGIENIC
2- RR BEVELED CAP NUT



ROCKET POST

2" SCH 40 Seal Weld
304S
2'-20" Lengths

ROCKET UBOLT- HYGIENIC

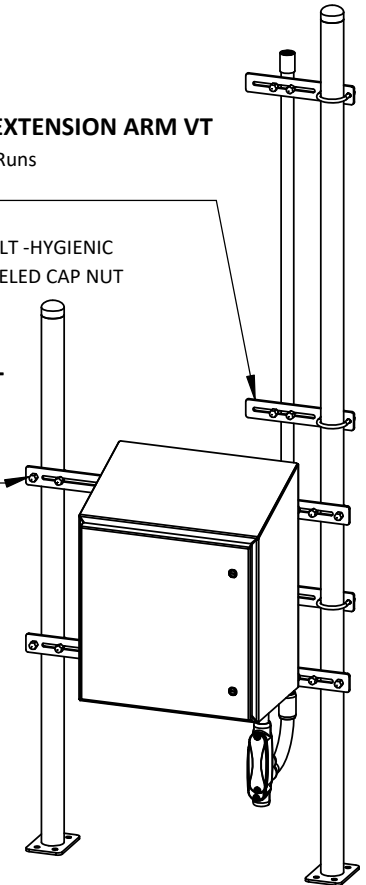
Minimal Thread Exposure
316S
1/2" - 4" Rigid Trade Size
Includes:
- 2 -RR BEVELED CAP NUT

ROCKET RACK FLAT

1/4 x 2"
304S or 6061-T6 ALU
8"-72" Lengths

ROCKET RACK BEVELED CAP NUT

360° Nylon Thread Locker
316S
3/8" or 1/2" Diameters



Robroy Industries Rocket Rack Products have been tested & certified under the Food Safety and Quality Product/System Category to standard NSF/ANSI/3-A 14159-1.

ADDITIONAL INFORMATION AND DETAILS FOR ROCKET RACK CAN BE FOUND ON THE ROCKET RACK WEBSITE WWW.ROCKET-RACK.COM OR IN THE ROCKET RACK CATALOG. IF YOU HAVE QUESTIONS ABOUT THE INSTALLATION OF ANY ROCKET RACK PRODUCT OR FOR CUSTOM SIZES AND DRAWINGS PLEASE CALL CUSTOMER SERVICE 903.680.4222 OR EMAIL CSR@ROBROY.COM

PERSONAL AND CONFIDENTIAL
THE INFORMATION CONTAINED IN THIS DRAWING IS THE SOLE PROPERTY OF ROBROY INDUSTRIES. ANY REPRODUCTION IN PART OR AS A WHOLE WITHOUT THE WRITTEN PERMISSION OF ROBROY INDUSTRIES IS PROHIBITED.

ROCKET RACK

a unit of ROBROY INDUSTRIES
1100 US HWY 271 S
GILMER, TX 75644
903-843-5591
www.rocket-rack.com

TITLE:	VERTICAL RUNS, HYGIENIC ROCKET POST, EXTENSION ARMS VERTICAL
DWG NO.	RRPEXAM04V-CND