

Patent-protected. For more information go to www.rocket-rack.com/patents

ROCKET SANITARY CLAMP

Compact Threaded Anchor
304S or 316S
1/2"-4" Trade Sizes

ROCKET STANDOFF

304S
1"D x 1"L

Includes:
1 - ROCKET BOLT

ROCKET POST

2" SCH 40 Seal Weld
304S
2'-20' Lengths

ROCKET UBOLT- HYGIENIC

Minimal Thread Exposure
316S
1/2" - 4" Rigid Trade Size

Includes:
2- RR BEVELED CAP NUT

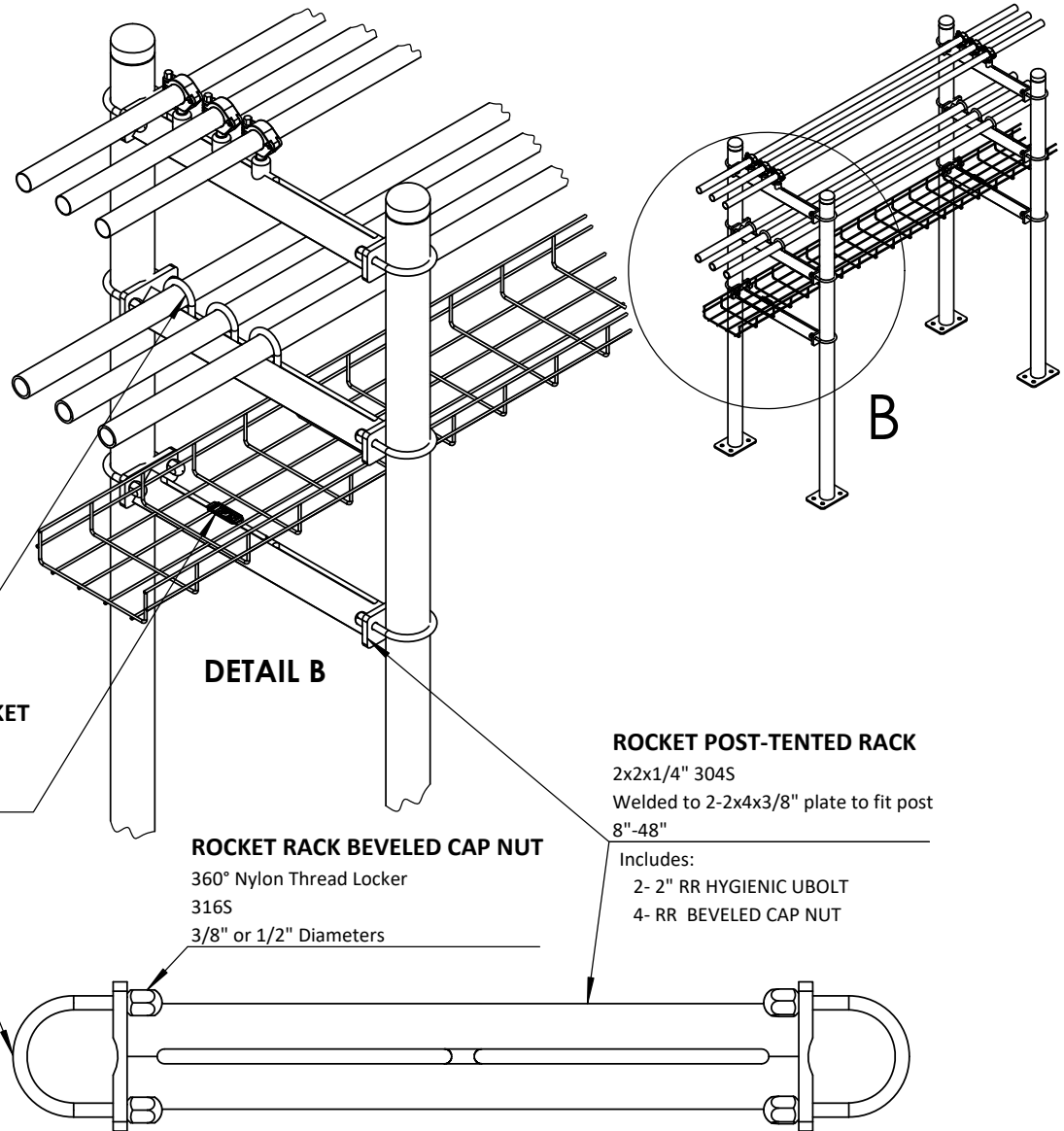
ROCKET MOUNTING BRACKET

RRHDWSNIEDSET
Wire Mesh Mounting Bracket
304S

ROCKET UBOLT- HYGIENIC

Minimal Thread Exposure
316S
1/2" - 4" Rigid Trade Size

Includes:
2- RR BEVELED CAP NUT



DETAIL B

ROCKET POST-TENTED RACK

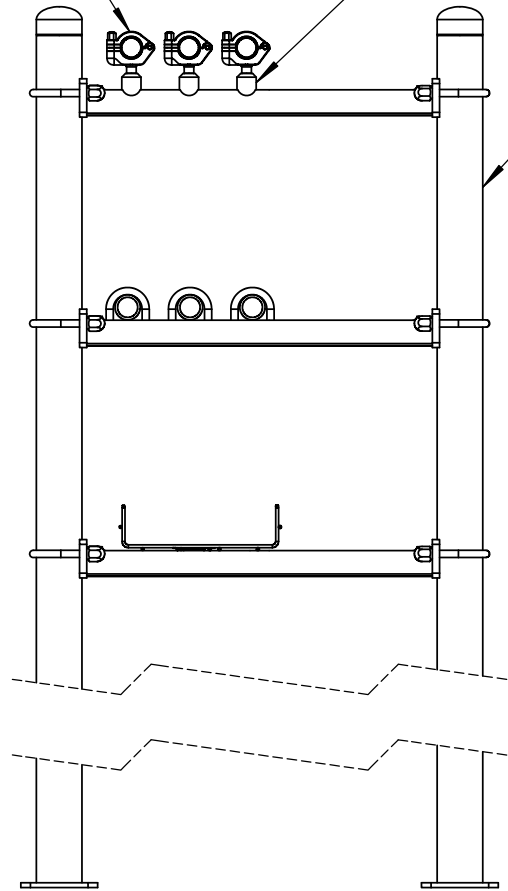
2x2x1/4" 304S

Welded to 2-2x4x3/8" plate to fit post
8"-48"

Includes:
2- 2" RR HYGIENIC UBOLT
4- RR BEVELED CAP NUT

ROCKET RACK BEVELED CAP NUT

360° Nylon Thread Locker
316S
3/8" or 1/2" Diameters



Robroy Industries Rocket Rack Products have been tested & certified under the Food Safety and Quality Product/System Category to standard NSF/ANSI/3-A 14159-1.

ADDITIONAL INFORMATION AND DETAILS FOR ROCKET RACK CAN BE FOUND ON THE ROCKET RACK WEBSITE WWW.ROCKET-RACK.COM OR IN THE ROCKET RACK CATALOG. IF YOU HAVE QUESTIONS ABOUT THE INSTALLATION OF ANY ROCKET RACK PRODUCT OR FOR CUSTOM SIZES AND DRAWINGS PLEASE CALL CUSTOMER SERVICE 903.680.4222 OR EMAIL CSR@ROBROY.COM

<p>DRAWN BY: PERSONAL AND CONFIDENTIAL THE INFORMATION CONTAINED IN THIS DRAWING IS THE SOLE PROPERTY OF ROBROY INDUSTRIES. ANY REPRODUCTION IN PART OR AS A WHOLE WITHOUT THE WRITTEN PERMISSION OF ROBROY INDUSTRIES IS PROHIBITED.</p>	<p>ROCKET RACK a unit of ROBROY INDUSTRIES 1100 US HWY 271 S GILMER, TX 75644 903-843-5591 www.rocket-rack.com</p>	<p>TITLE: HORIZONTAL RUNS, HYGIENIC ROCKET POST, ROCKET POST TENTED</p>
		<p>DWG NO. RRPOSTMODTNT</p>
		<p>RRPOSTMODTNT</p>