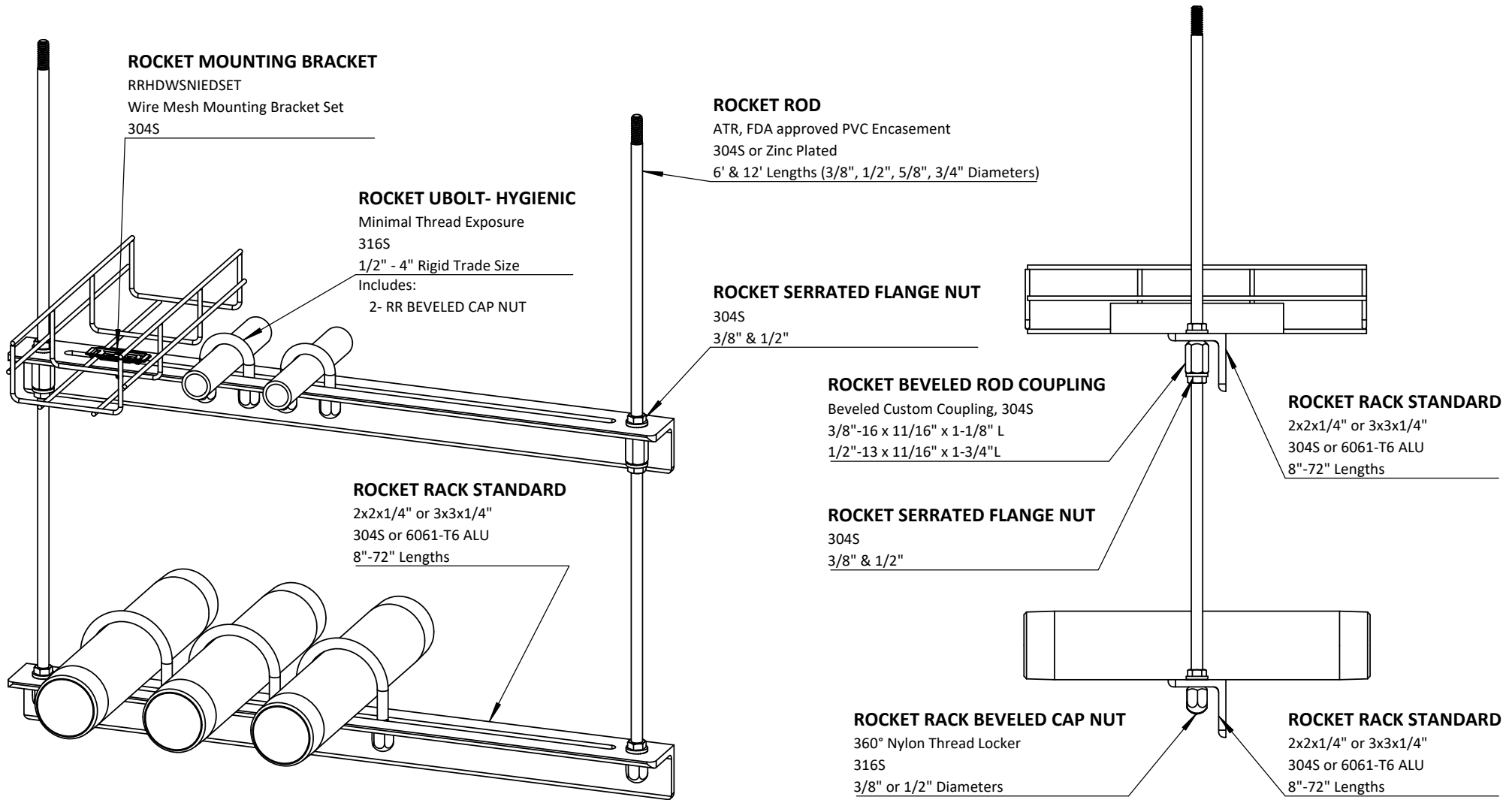


Patent-protected. For more information go to www.rocket-rack.com/patents



ADDITIONAL INFORMATION AND DETAILS FOR ROCKET RACK CAN BE FOUND ON THE ROCKET RACK WEBSITE WWW.ROCKET-RACK.COM OR IN THE ROCKET RACK CATALOG. IF YOU HAVE QUESTIONS ABOUT THE INSTALLATION OF ANY ROCKET RACK PRODUCT OR FOR CUSTOM SIZES AND DRAWINGS PLEASE CALL CUSTOMER SERVICE 903.680.4222 OR EMAIL CSR@ROBROY.COM

PERSONAL AND CONFIDENTIAL
THE INFORMATION CONTAINED IN THIS DRAWING IS THE SOLE PROPERTY OF ROBROY INDUSTRIES. ANY REPRODUCTION IN PART OR AS A WHOLE WITHOUT THE WRITTEN PERMISSION OF ROBROY INDUSTRIES IS PROHIBITED.

ROCKET RACK

a unit of ROBROY INDUSTRIES
1100 US HWY 271 S
GILMER, TX 75644
903-843-5591
www.rocket-rack.com

TITLE:
TRAPEZE MOUNT, STANDARD ROCKET RACK, MULTI TIER
DWG NO.
STDTRAP2