

Patent-protected. For more information go to [www.rocket-rack.com/patents](http://www.rocket-rack.com/patents)

**ROCKET ROD**

ATR, FDA approved PVC Encasement  
304S or Zinc Plated  
6' & 12' Lengths (3/8", 1/2", 5/8", 3/4" Diameters)

**ROCKET MOUNTING BRACKET**

RRHDWSNIEDSET  
Wire Mesh Mounting Bracket Set  
304S

**ROCKET RACK TENTED ROD COUPLING**

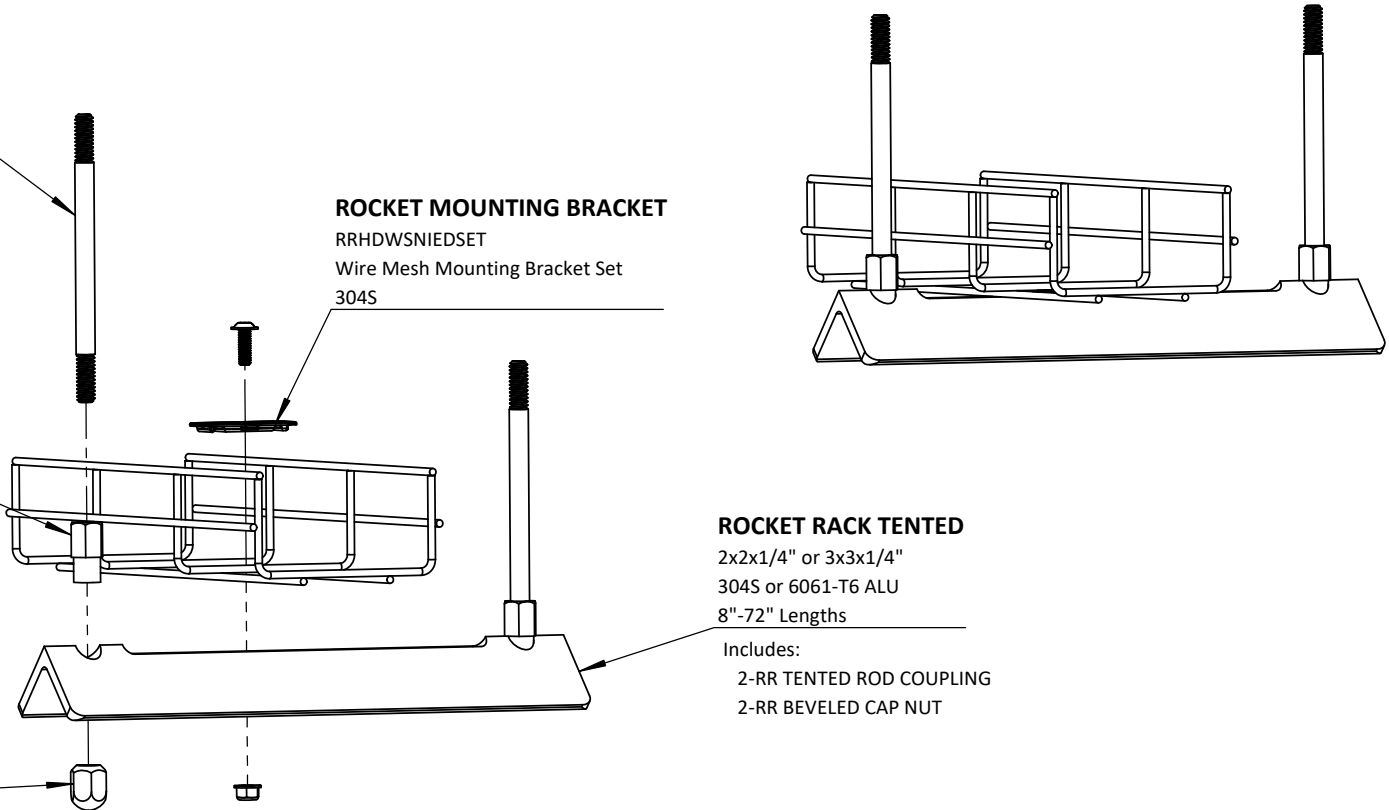
Turned Rod Coupling for Tented Mount  
304S  
3/8" or 1/2" Diameters

**ROCKET RACK BEVELED CAP NUT**

360° Nylon Thread Locker  
316S  
3/8" or 1/2" Diameters

**ROCKET RACK TENTED**

2x2x1/4" or 3x3x1/4"  
304S or 6061-T6 ALU  
8"-72" Lengths  
Includes:  
2-RR TENTED ROD COUPLING  
2-RR BEVELED CAP NUT



Robroy Industries Rocket Rack Products have been tested & certified under the Food Safety and Quality Product/System Category to standard NSF/ANSI/3-A 14159-1.

ADDITIONAL INFORMATION AND DETAILS FOR ROCKET RACK CAN BE FOUND ON THE ROCKET RACK WEBSITE [WWW.ROCKET-RACK.COM](http://WWW.ROCKET-RACK.COM) OR IN THE ROCKET RACK CATALOG. IF YOU HAVE QUESTIONS ABOUT THE INSTALLATION OF ANY ROCKET RACK PRODUCT OR FOR CUSTOM SIZES AND DRAWINGS PLEASE CALL CUSTOMER SERVICE 903.680.4222 OR EMAIL [CSR@ROBROY.COM](mailto:CSR@ROBROY.COM)

DRAWN BY: <b>PERSONAL AND CONFIDENTIAL</b> THE INFORMATION CONTAINED IN THIS DRAWING IS THE SOLE PROPERTY OF ROBROY INDUSTRIES. ANY REPRODUCTION IN PART OR AS A WHOLE WITHOUT THE WRITTEN PERMISSION OF ROBROY INDUSTRIES IS PROHIBITED.	<b>ROCKET RACK</b> a unit of ROBROY INDUSTRIES 1100 US HWY 271 S GILMER, TX 75644 903-843-5591 <a href="http://www.rocket-rack.com">www.rocket-rack.com</a>	TITLE: HYGIENIC TRAPEZE MOUNT, TENTED ROCKET RACK, BASKET/CABLE TRAY ASSEMBLY DWG NO. TNTBKTASMB
---	--	---