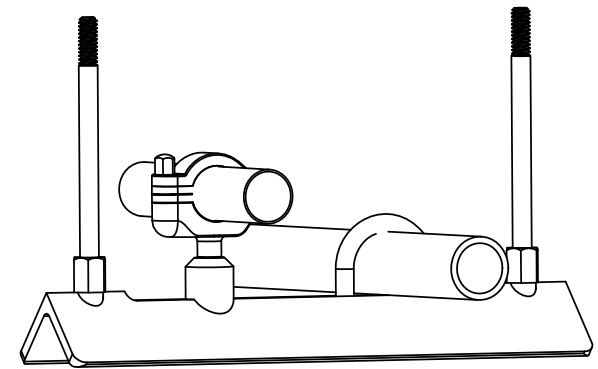
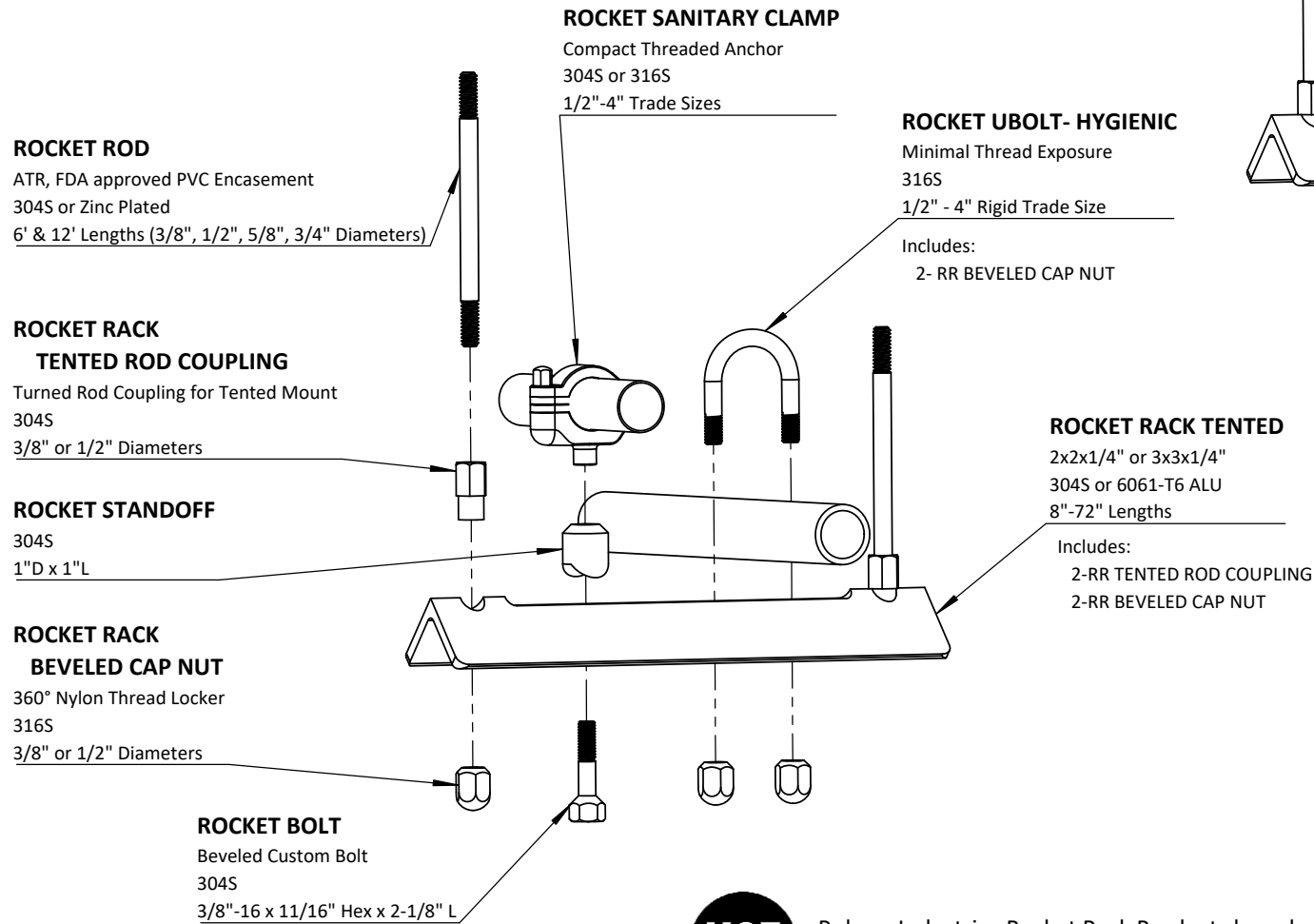


Patent-protected. For more information go to www.rocket-rack.com/patents



Robroy Industries Rocket Rack Products have been tested & certified under the Food Safety and Quality Product/System Category to standard NSF/ANSI/3-A 14159-1.

ADDITIONAL INFORMATION AND DETAILS FOR ROCKET RACK CAN BE FOUND ON THE ROCKET RACK WEBSITE WWW.ROCKET-RACK.COM OR IN THE ROCKET RACK CATALOG. IF YOU HAVE QUESTIONS ABOUT THE INSTALLATION OF ANY ROCKET RACK PRODUCT OR FOR CUSTOM SIZES AND DRAWINGS PLEASE CALL CUSTOMER SERVICE 903.680.4222 OR EMAIL CSR@ROBROY.COM

DRAWN BY:	ROCKET RACK	TITLE:
PERSONAL AND CONFIDENTIAL THE INFORMATION CONTAINED IN THIS DRAWING IS THE SOLE PROPERTY OF ROBROY INDUSTRIES. ANY REPRODUCTION IN PART OR AS A WHOLE WITHOUT THE WRITTEN PERMISSION OF ROBROY INDUSTRIES IS PROHIBITED.	a unit of ROBROY INDUSTRIES 1100 US HWY 271 S GILMER, TX 75644 903-843-5591 www.rocket-rack.com	HYGIENIC TRAPEZE MOUNT, TENTED ROCKET RACK, CONDUIT & PIPE ASSEMBLY
		DWG NO.
		TNTCNDASMB