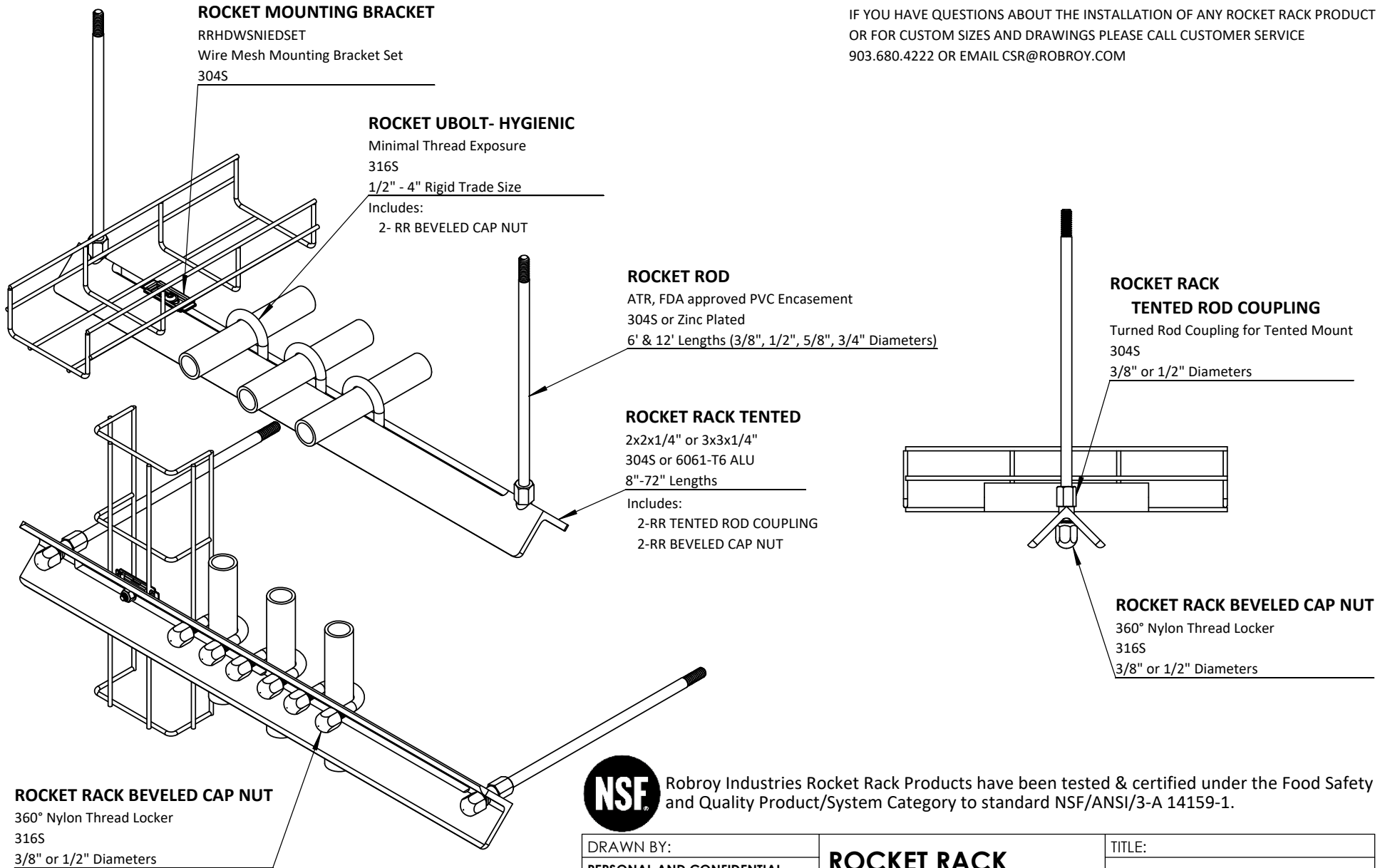


Patent-protected. For more information go to www.rocket-rack.com/patents

ADDITIONAL INFORMATION AND DETAILS FOR ROCKET RACK CAN BE FOUND ON THE ROCKET RACK WEBSITE WWW.ROCKET-RACK.COM OR IN THE ROCKET RACK CATALOG. IF YOU HAVE QUESTIONS ABOUT THE INSTALLATION OF ANY ROCKET RACK PRODUCT OR FOR CUSTOM SIZES AND DRAWINGS PLEASE CALL CUSTOMER SERVICE 903.680.4222 OR EMAIL CSR@ROBROY.COM



Robroy Industries Rocket Rack Products have been tested & certified under the Food Safety and Quality Product/System Category to standard NSF/ANSI/3-A 14159-1.

DRAWN BY: PERSONAL AND CONFIDENTIAL THE INFORMATION CONTAINED IN THIS DRAWING IS THE SOLE PROPERTY OF ROBROY INDUSTRIES. ANY REPRODUCTION IN PART OR AS A WHOLE WITHOUT THE WRITTEN PERMISSION OF ROBROY INDUSTRIES IS PROHIBITED.	ROCKET RACK a unit of ROBROY INDUSTRIES 1100 US HWY 271 S GILMER, TX 75644 903-843-5591 www.rocket-rack.com	TITLE: HYGIENIC TRAPEZE MOUNT, TENTED ROCKET RACK, SINGLE TIER
		DWG NO. TNTHYGTRAP