

Patent-protected. For more information go to www.rocket-rack.com/patents

ROCKET MOUNTING BRACKET

RRHDWSNIEDSET
Wire Mesh Mounting Bracket Set
304S

ROCKET UBOLT- HYGIENIC

Minimal Thread Exposure
316S
1/2" - 4" Rigid Trade Size
Includes:
2- RR BEVELED CAP NUT

ROCKET ROD

ATR, FDA approved PVC Encasement
304S or Zinc Plated
6' & 12' Lengths
3/8", 1/2", 5/8", 3/4" Diameters

ROCKET RACK TENTED

2x2x1/4" or 3x3x1/4"
304S or 6061-T6 ALU
8"-72" Lengths
Includes:
2-RR TENTED ROD COUPLING
2-RR BEVELED CAP NUT

ROCKET RACK

TENTED ROD COUPLING

Turned Rod Coupling for Tented Mount
304S
3/8" or 1/2" Diameters

ROCKET ROD COUPLING

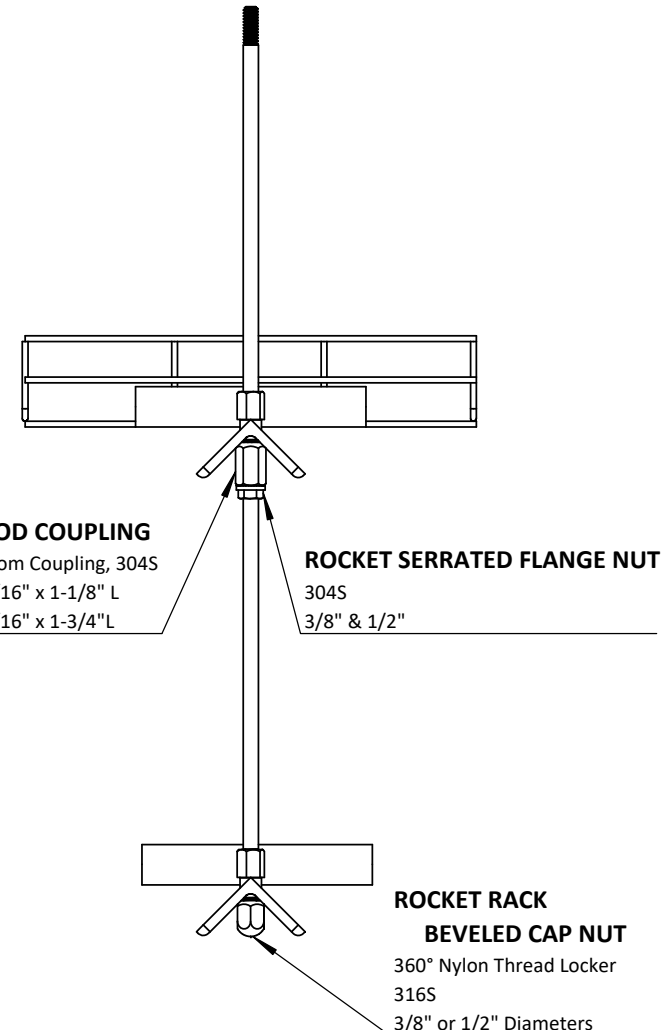
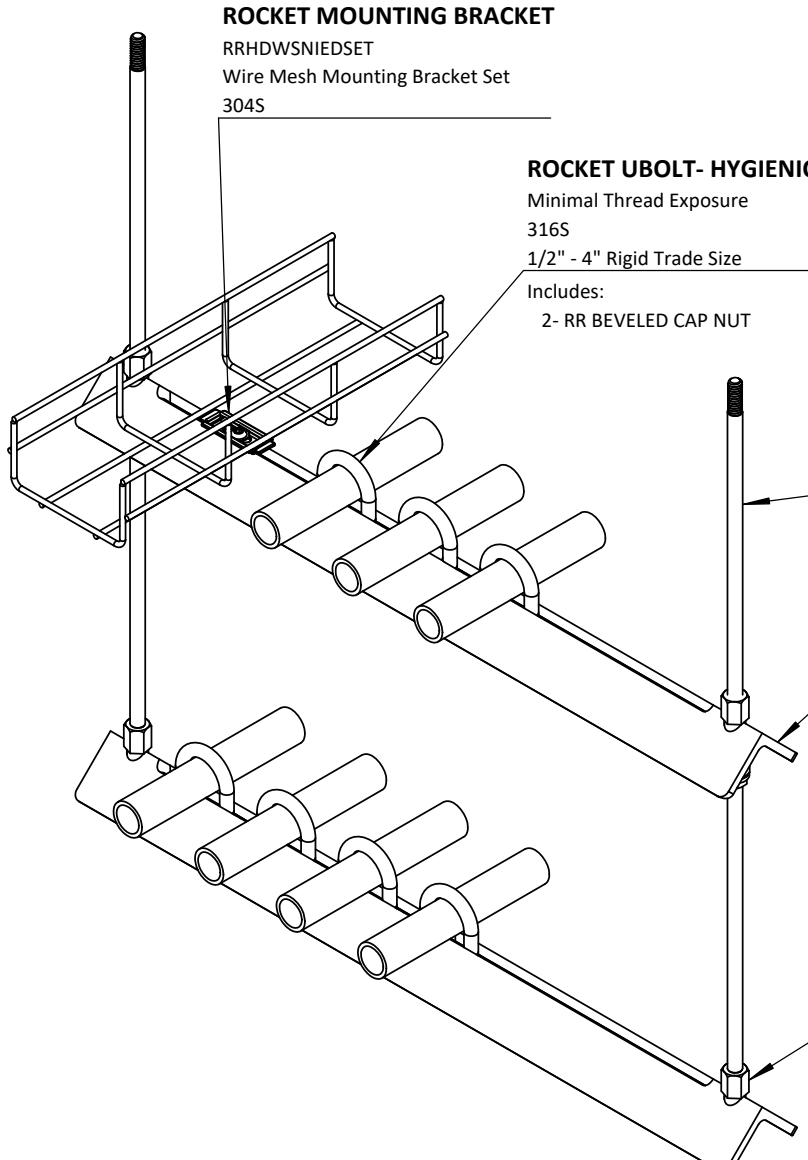
Beveled Custom Coupling, 304S
3/8"-16 x 11/16" x 1-1/8" L
1/2"-13 x 11/16" x 1-3/4" L

ROCKET SERRATED FLANGE NUT

304S
3/8" & 1/2"

**ROCKET RACK
BEVELED CAP NUT**

360° Nylon Thread Locker
316S
3/8" or 1/2" Diameters



Robroy Industries Rocket Rack Products have been tested & certified under the Food Safety and Quality Product/System Category to standard NSF/ANSI/3-A 14159-1.

DRAWN BY:
PERSONAL AND CONFIDENTIAL
THE INFORMATION CONTAINED IN THIS DRAWING IS THE SOLE PROPERTY OF ROBOY INDUSTRIES. ANY REPRODUCTION IN PART OR AS A WHOLE WITHOUT THE WRITTEN PERMISSION OF ROBOY INDUSTRIES IS PROHIBITED.

ROCKET RACK
a unit of ROBOY INDUSTRIES
1100 US HWY 271 S
GILMER, TX 75644
903-843-5591
www.rocket-rack.com

TITLE:
HYGIENIC TRAPEZE MOUNT,
TENTED ROCKET RACK,
MULTI TIER
DWG NO.
TNTHYGTRAP2

ADDITIONAL INFORMATION AND DETAILS FOR ROCKET RACK CAN BE FOUND ON THE ROCKET RACK WEBSITE WWW.ROCKET-RACK.COM OR IN THE ROCKET RACK CATALOG. IF YOU HAVE QUESTIONS ABOUT THE INSTALLATION OF ANY ROCKET RACK PRODUCT OR FOR CUSTOM SIZES AND DRAWINGS PLEASE CALL CUSTOMER SERVICE 903.680.4222 OR EMAIL CSR@ROBOY.COM