



ROCKET RACK®

SANITARY SUPPORT SYSTEM FOR ELECTRICAL & MECHANICAL INSTALLATIONS

About NSF



NSF International

Founded in 1944, NSF International is an independent, accredited organization, that tests, audits and certifies products and systems.

NSF Certification

Recognized by regulatory agencies at the local, state, federal and international level, NSF certification demonstrates that a product complies with all standard requirements. NSF conducts periodic facility audits and product testing to verify that the product continues to comply with the standard.

The NSF mark is your assurance that the product has been tested by one of the most respected independent certification organizations in existence today. It is valued by consumers, manufacturers, retailers and regulatory agencies worldwide.

The mark provides:

- * Knowledge that an impartial review against established criteria or guidelines has been conducted
- * Evidence that product labeling and claims have been objectively reviewed by a trusted third party
- * Backing by a team of professionals dedicated to public health and safety operating in more than 170 countries around the world

Robroy Industries ROCKET RACK Products have been tested and certified under the Food Safety and Quality Product/System Category to standard NSF/ANSI/3-A 14159-1.

ROCKET RACK® TENTED™ ASSEMBLY DETAILS

U.S. PATENT NO. D653,524 S

Installation of ROCKET RACK Tented Support Rack

Knowing the elevation of bottom of conduit or cable tray, cut support rods 1" longer than this elevation. The elevation of conduit or cable tray is shown on the illustration on the right as call out "B".

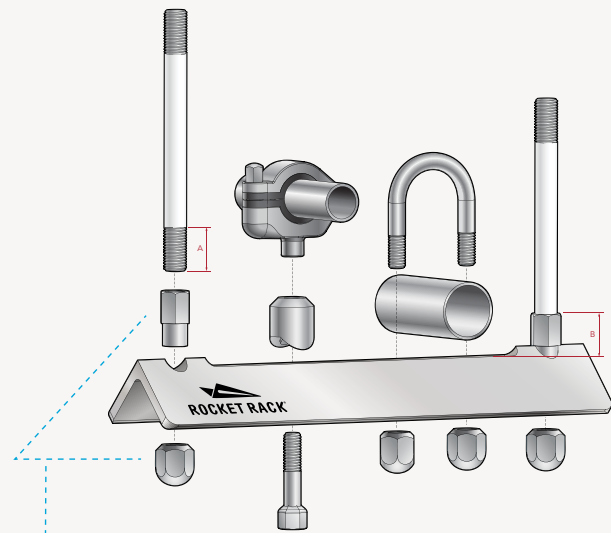
Strip off 1 7/8" of the FDA compliant encasement to reveal threads on the rod. (This strip length is shown on the illustration on the right as call out "A".) Thread the Turned Coupling onto the rod. Install Tented support rack and thread Beveled Cap Nut onto the bottom of the rod and secure wrench tight.

Note: Rod cut length of 1" longer than elevation and rod strip length of 1 7/8" is the same whether using 3/8" or 1/2" Rocket Rod.

When installing multi-tiered Tented support racks, The Beveled Cap Nut will be replaced with ROCKET RACK Beveled Rod Coupling and repeat the steps above to install each additional support rack.

These measurements make for a precise fit up with no exposed threads and maintain a proper hygienic install.

ROCKET RACK Tented is ideally suited for use with rigid conduit—Stainless, aluminum or galvanized steel—anchored with ROCKET RACK Stainless U-Bolts. Please note that when using thin-walled tubing or coated conduit we recommend standing off the rack with ROCKET Standoff™ and a sanitary clamp (each sold separately—See ROCKET RACK Stainless Hardware). ROCKET RACK Tented supplied with specially-designed mounting hardware. All other items sold separately.



Specially-designed stainless mounting hardware supplied with tented angle, one set per mounting hole. (2 Beveled Cap Nuts and 2 Turned Rod Couplings) Please specify rod size – 3/8" or 1/2"